

PLEASE CHECK WWW.MOLEX.COM FOR LATEST PART INFORMATION

Part Number: [0543730677](#)
Status: **Active**
Description: 0.80mm (.031") Pitch Wire-to-Board PCB Receptacle, Vertical, 60 Circuits, with Metal Cover, Lead-free

Documents:

[3D Model](#) [Product Specification PS-54373-003 \(PDF\)](#)
[Drawing \(PDF\)](#) [RoHS Certificate of Compliance \(PDF\)](#)

General

Product Family	PCB Receptacles
Series	54373
Application	Board-to-Board
Product Name	N/A

Physical

Circuits (Loaded)	60
Durability (mating cycles max)	50
Glow-Wire Compliant	No
Guide to Mating Part	Yes
Lock to Mating Part	None
Material - Metal	Beryllium Copper, Phosphor Bronze
Material - Plating Mating	Gold
Material - Plating Termination	Tin
Number of Rows	2
Orientation	Vertical
PCB Locator	Yes
PCB Retention	Yes
Packaging Type	Embossed Tape on Reel
Pitch - Mating Interface (in)	0.031 In
Pitch - Mating Interface (mm)	0.80 mm
Plating min: Mating (µin)	8
Plating min: Mating (µm)	0.2
Plating min: Termination (µin)	40
Plating min: Termination (µm)	1
Polarized to Mating Part	Yes
Polarized to PCB	Yes
Robotic Placement	Metal Cap
Stackable	No
Surface Mount Compatible (SMC)	N/A
Temperature Range - Operating	-20°C to +60°C
Termination Interface: Style	Surface Mount

Electrical

Current - Maximum per Contact	0.4A
Voltage - Maximum	100V

Material Info

Reference - Drawing Numbers

Product Specification	PS-54373-003
Sales Drawing	SD-54373-010, SD-54373-011

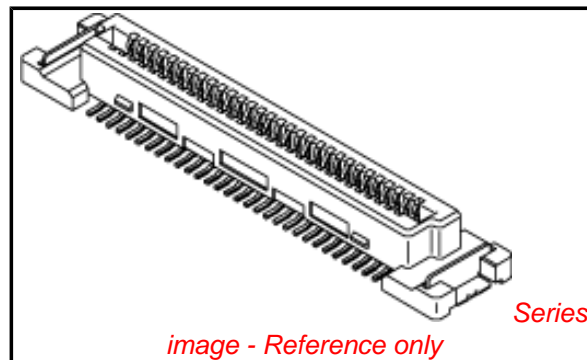


image - Reference only

EU RoHS

**ELV and RoHS
Compliant**

REACH SVHC

Not Reviewed

Halogen-Free

Status

Not Reviewed

China RoHS



**Need more information on product
environmental compliance?**

Email productcompliance@molex.com
 For a multiple part number RoHS Certificate of Compliance, [click here](#)

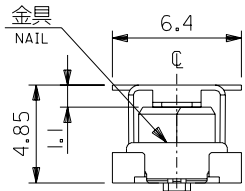
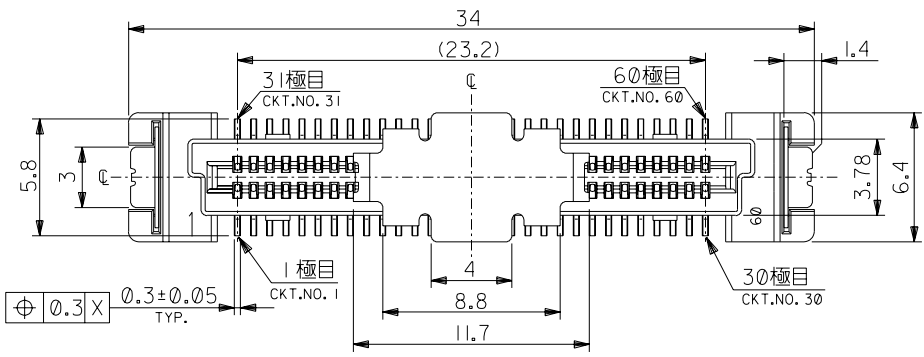
Please visit the [Contact Us](#) section for any non-product compliance questions.

Search Parts in this Series

54373Series

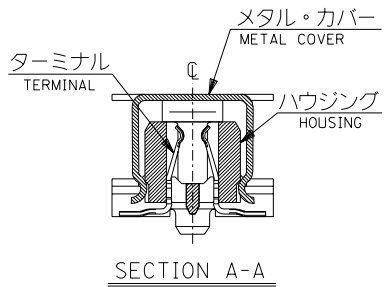
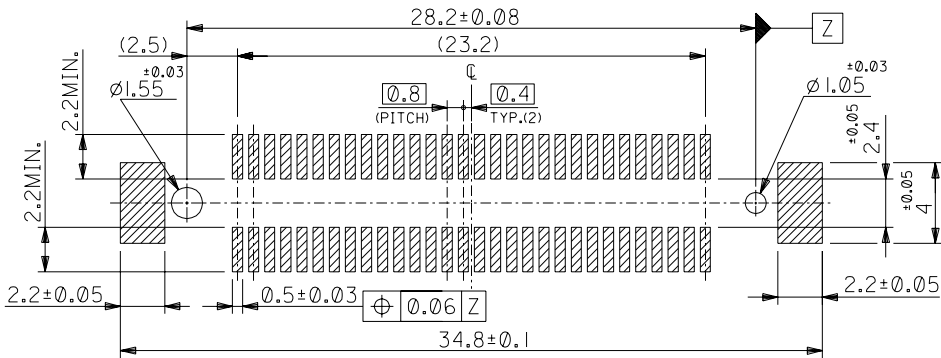
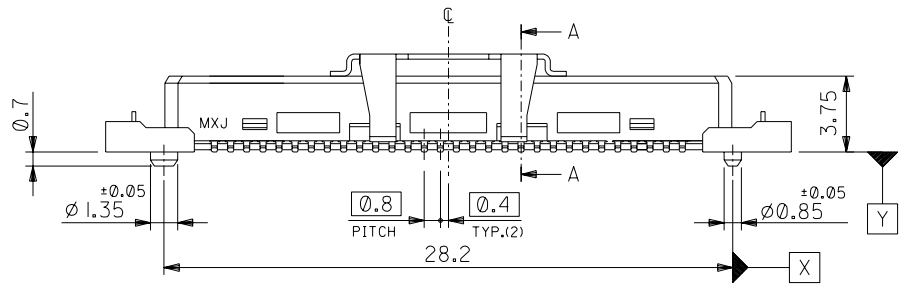
Mates With

55217 Plug Sub Assembly



注記 NOTES:

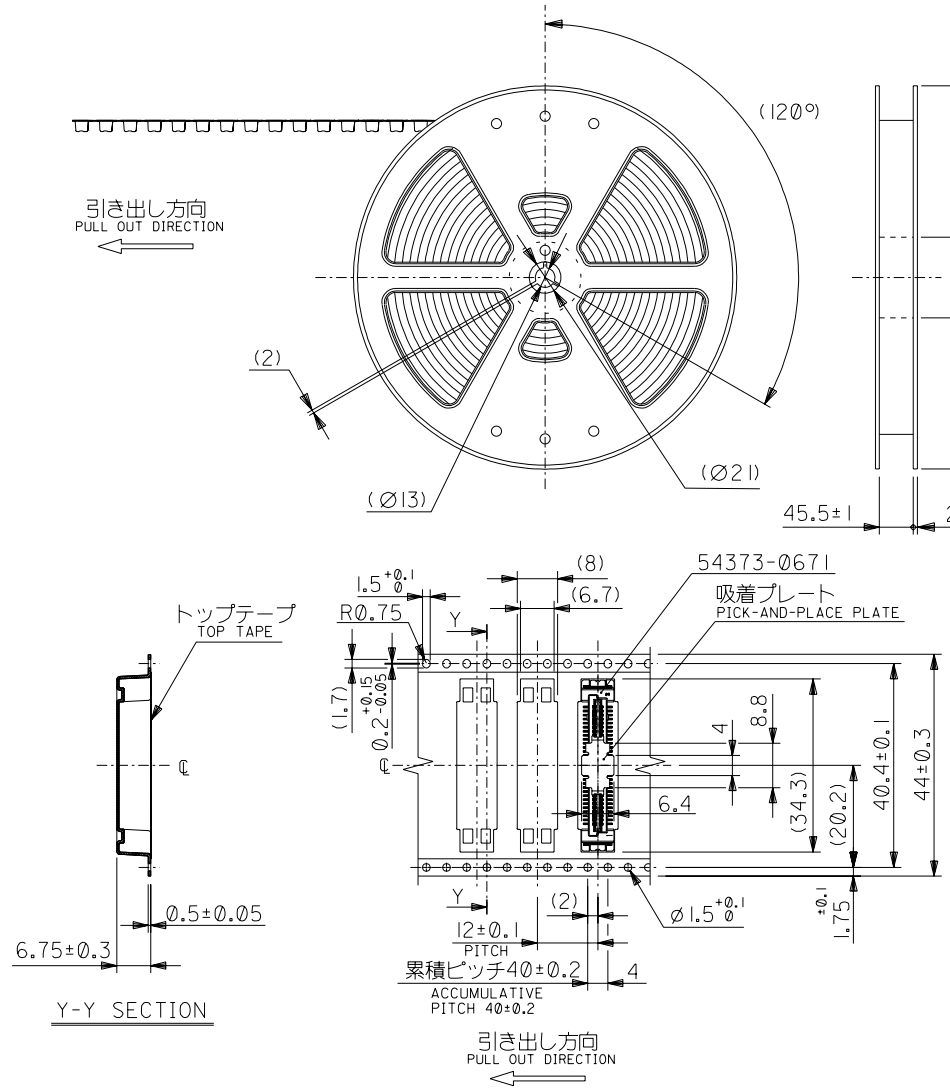
- 材質 MATERIAL
ハウジング : ガラス入りLCP、白色、UL94V-0
HOUSING : G.F.LCP, WHITE, UL94V-0
ターミナル : ベリリウム銅 ($t = 0.2$)
TERMINAL : BERYLLIUM COPPER
金具 : 燐青銅 ($t = 0.2$)
NAIL : PHOSPHOR BRONZE
- メッキ仕様 PLATING
ターミナル : 接点部 : 金メッキ $0.2\mu\text{mMIN.}$
TERMINAL : CONTACT AREA : GOLD $0.2\mu\text{mMIN.}$
半田付け部 : 錫メッキ $1.0\mu\text{mMIN.}$
SOLDER TAIL AREA : TIN $1.0\mu\text{mMIN.}$
下地メッキ : ニッケルメッキ $1.3\mu\text{mMIN.}$
UNDER-PLATING : NICKEL $1.3\mu\text{mMIN.}$
金具 : 錫メッキ $1.0\mu\text{mMIN.}$
NAIL : TIN $1.0\mu\text{mMIN.}$
下地メッキ : ニッケルメッキ $1.0\mu\text{mMIN.}$
UNDER-PLATING : NICKEL $1.0\mu\text{mMIN.}$
- ターミナル及び金具の半田付面のバラツキ寸法
TERMINAL AND NAIL COPLANARITY
Y面を基準とし、上へ 0.05 下へ 0.1 の範囲にあり、
目付テール平坦度は、 0.1MAX. とする。
TAILS TO BE WITHIN 0.05 UPWARD AND 0.1 DOWNWARD FROM Y-DATUM PLANE AND TAIL COPLANARITY TO BE 0.1MAX.
- 同一基板内に複数個 (2ヶ以上) の使用は避けてください。
MXJ DOES NOT RECOMMEND THE USAGE OF TWO OR MORE OF THESE CONNECTORS BETWEEN A SINGLE PAIR OF P.C.BOARD.
- 本製品は 54373-0601 の鉛フリー品である。
THIS PRODUCT IS LEAD FREE OF 54373-0601



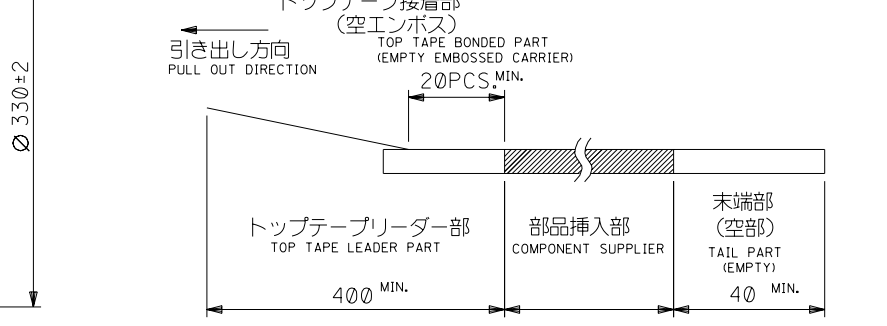
推奨基板寸法
RECOMMENDED PCB PATTERN LAYOUT

54373-0671	54373-**71
MATERIAL NO.	MODEL NO.
DIMENSIONS: <input type="checkbox"/> mm <input type="checkbox"/> INCH <input checked="" type="checkbox"/> mm ONLY	
SHT	REV
REVISE ON CAD ONLY	

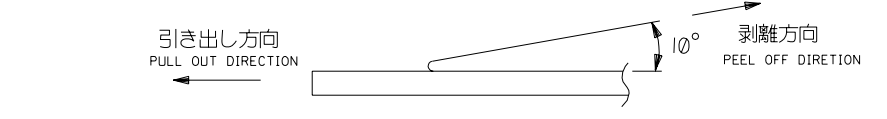
DO NOT SCALE DRAWING	EC NO. DRWN: CH'K: APPR:	EC NO. DRWN: CH'K: APPR:	EC NO. DRWN: CH'K: APPR:	EC NO. DRWN: CH'K: APPR:	REV	MATERIAL 材料	GENERAL TOLERANCES: (UNLESS SPECIFIED) 一般公差	SCALE	DESIGN UNITS	THIRD ANGLE PROJECTION	TITLE: 0.8mm PITCH REC. HOUSING ASS'Y -LEAD FREE-	
	RELEASED EC NO. 12004:2535 '04/02/19 DRWN: H.KAWABATA CH'K: K.TOJO APPR: M.SASAO				DESCRIPTION	SEE NOTES	10 UNDER 未滿	#	<input checked="" type="checkbox"/> mm <input type="checkbox"/> INCH	<input type="checkbox"/> mm <input type="checkbox"/> INCH		DRAWN BY & DATE H.KAWABATA '04/02/19
	FINISH 仕上げ				REV	SEE NOTES	10 OVER 以上 / 30 UNDER 未滿	#		<input checked="" type="checkbox"/> mm <input type="checkbox"/> INCH		CHECKED BY & DATE K.TOJO '04/02/19
WIRE RANGE 適用差接範囲		SEE NOTES		INS. RANGE 被覆外径	SEE NOTES		30 OVER 以上	3°		APPROVED BY & DATE M.SASAO '04/02/19	MOLEX	
CAD FILENAME SD-54373-010.S01			MATERIAL NO. SEE CHART		DRAWING NO. SD-54373-010		SHEET NO. 1 OF 1		THIS DRAWING CONTAINS INFORMATION THAT IS PROPRIETARY TO MOLEX INCORPORATED AND SHOULD NOT BE USED WITHOUT WRITTEN PERMISSION.			SIZE B



注) NOTES
 1. 製品番号 54373-0671 の詳細寸法については、SD-54373-010 を参照下さい。
 IN THE PACKAGE , PART NO. 54373-0601 RE DETAILED DIMENSIONS , SEE SD-54373-005
 2. 梱包数量：900個/リール
 NUMBER OF CONNECTORS：900 PCS/REEL
 3. リードテープ長さ
 LEAD TAPE LENGTH



4. トップテープの剥離強度：(剥離方向は下図参照)
 PEELING OFF FORCE OF TOP TAPE (PEELING DIRECTION AS SHOWN IN FOLLOWING FIG.)
 0.1~1.3N (10~130gf)
 尚、本規格値は、出荷時に適用。
 (但し、輸送時に剥離が発生しない事。)
 THIS REQUIREMENT SHOULD BE APPLIED AT SHIPMENT
 (PEEL OFF SHOULD NOT BE ALLOWED, DURING TRANSPORTATION)



5. 材料
 MATERIAL
 キャリアテープ：ポリプロピレン (PP)
 CARRIER TAPE: POLYPROPYLENE (PP)
 トップテープ：PET, PE, PEF
 TOP TAPE: PET, PE, PEF
 リール：ポリスチレン
 REEL: POLYSTYRENE
 吸着プレート：ステンレス (SUS)
 PICK-AND-PLACE PLATE: STAINLESS STEEL (SUS)
 6. 本製品は 54373-0607 の鉛フリー品である。
 THIS PRODUCT IS LEAD FREE OF 54373-0607

54373-0677	54373-***77
MATERIAL NO.	MODEL NO.
DIMENSIONS:	
<input type="checkbox"/> mm	<input type="checkbox"/> INCH
<input type="checkbox"/> mm	<input checked="" type="checkbox"/> mm ONLY
SHT	REV
	REVISE ON CAD ONLY

EC NO.	RELEASED	MATERIAL	GENERAL TOLERANCES:	SCALE	DESIGN UNITS	THIRD ANGLE PROJECTION
DRWN: CH'K: APPR:	EC NO. 12004-2535-04/02/19	材料	(UNLESS SPECIFIED)	— #	<input checked="" type="checkbox"/> mm <input type="checkbox"/> INCH	<input checked="" type="checkbox"/> THIRD ANGLE <input type="checkbox"/> PROJECTION
	H. KAWABATA	SEE NOTES	— 公差			
	K. TOJO	FINISH				
	M. SASAO	仕上げ				
		—				
		WIRE RANGE				
		適用 被覆範囲				
		—				
		INS. RANGE				
		被覆 外径				
		—				

10 UNDER 未満	±0.2	DRAWN BY & DATE	TITLE:
10 OVER 30 UNDER 未満	±0.25	H. KAWABATA '04/02/19	0.8mm PITCH REC. HOUSING ASS'Y
30 OVER 以上	±0.3	CHECKED BY & DATE	TAPING PACKAGE
		K. TOJO '04/02/19	-LEAD FREE-
		APPROVED BY & DATE	MOLEX INCORPORATED
		M. SASAO '04/02/19	
ANGLE 角度	±3°	CAD FILENAME	MATERIAL NO.
		SD-54373-011.S01	DRAWING NO.
			SD-54373-011
			SHEET NO.
			1 OF 1
			SIZE
			B

THIS DRAWING CONTAINS INFORMATION THAT IS PROPRIETARY TO MOLEX INCORPORATED AND SHOULD NOT BE USED WITHOUT WRITTEN PERMISSION.